

# IB IL 120 DI 1-PAC

Order No.: 2861917



<http://eshop.phoenixcontact.de/phoenix/treeViewClick.do?UID=2861917>

Inline digital power terminal block, complete with accessories (plug connector and labeling field), 1 input, 120 V AC, 3-wire connection system



<http://www.download.phoenixcontact.com>  
Please note that the data given here has been taken from the online catalog. For comprehensive information and data, please refer to the user documentation. The General Terms and Conditions of Use apply to Internet downloads.

## Commercial data

EAN	4017918907464
Pack	1 Pcs.
Customs tariff	85389091
Weight/Piece	0.07645 KG
Catalog page information	Page 65 (AX-2007)

## Technical data

### Interface

Name	Local bus
Type of connection	Inline data jumper
Transmission rate	500 kBaud

### Digital inputs

Input name	Digital inputs
Description of the input	EN 61131-2 type 1
Type of connection	Spring-cage connection
Connection system	2, 3-wire

Number of inputs	1
Input voltage	120 V AC (via voltage jumper)
Input voltage range "0" signal	0 V AC ... 40 V AC
Input voltage range "1" signal	77 V AC ... 135 V AC

#### Power supply for module electronics

Supply voltage	120 V AC (via voltage jumper)
Range of supply voltages	108 V AC ... 135 V AC
Communications voltage $U_L$	7.5 V (via voltage jumper)
Current consumption	Max. 30 mA (from the local bus)

#### General data

Weight	39 g
Note on weight specifications	Without plug
Ambient temperature (operation)	-25 °C ... 55 °C
Ambient temperature (storage/transport)	-25 °C ... 85 °C
Permissible humidity (operation)	75 % ... 85 % (in the range of -25°C ... +55°C, appropriate measures against increased humidity (> 85%) must be taken.)
Permissible humidity (storage/transport)	75 % ... 85 % (slight temporary condensation may sometimes appear on the housing)
Air pressure (operation)	80 kPa ... 160 kPa (up to 2000 m above sea level)
Air pressure (storage/transport)	70 kPa ... 106 kPa (up to 3000 m above sea level)
Degree of protection	IP20
Class of protection	III, IEC 61140
Test section	5 V supply, incoming remote bus/7.5 V supply (bus logics) 500 V AC 50 Hz 1 min
	5 V supply, outgoing remote bus/7.5 V supply (bus logics) 500 V AC 50 Hz 1 min
	7.5 V supply (bus logics) / I/O area 2500 V AC 50 Hz 1 min
	Routine test 1200 V AC 50 Hz 1 min
Mounting type	DIN rail

#### Inline potential routing

Communications voltage $U_L$	7.5 V
Current consumption from $U_L$	Max. 30 mA
Supply for main circuit $U_M$	120 V AC
Current consumption from $U_M$	Max. 0.25 A

## Certificates / Approvals

Approval logo



### requested approbations

Certification	CUL, GOST, UL
---------------	---------------

## Accessories

Item	Designation	Description
------	-------------	-------------

### Literature

2745554	IB IL SYS PRO UM	User Manual, German, for configuring and installing the INTERBUS Inline product range
---------	------------------	---

### Marking

0809492	ESL 62X10	Insert strip for laser printer, lettering field: 62 x 10 mm
2727501	IB IL FIELD 2	Labeling field, width: 12.2 mm

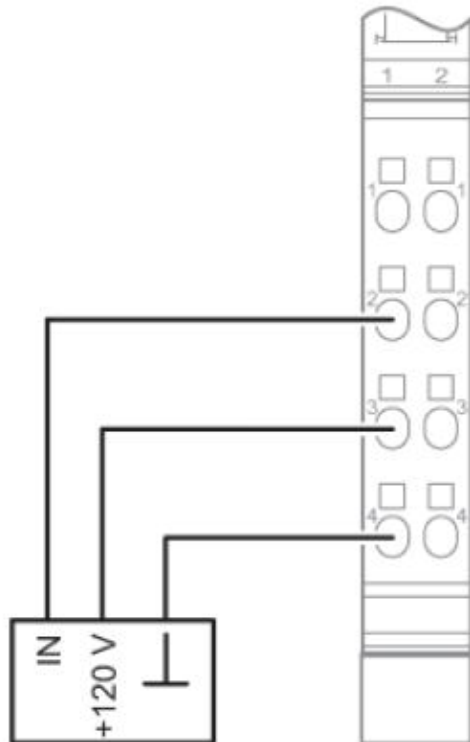
### Plug/Adapter

2740261	IB IL SCN-8-AC-ICP	Plug, colored identification, for digital 1, -2 or 8-channel Inline input terminal blocks with AC voltage
---------	--------------------	---

## Drawings

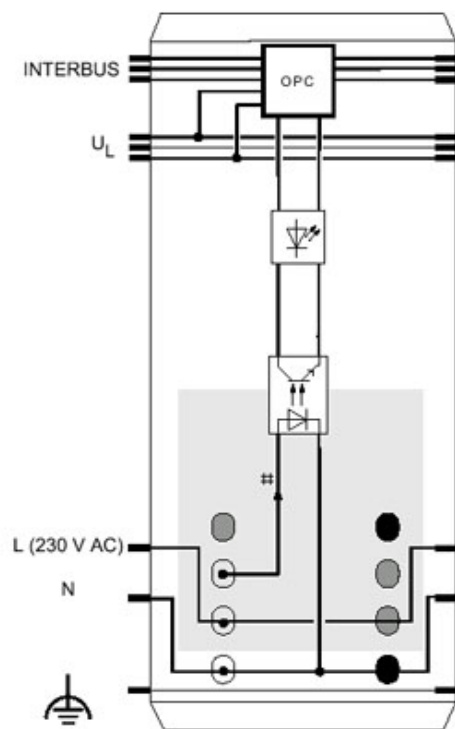
### Connection diagram

---



Block diagram

---



Dimensioned drawing

---

